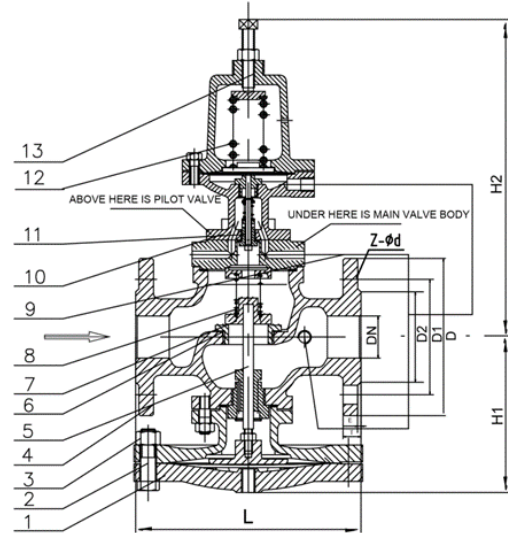


CAST STEEL PILOT PRESSURE REDUCING VALVE FLANGE END PN16 (STEAM)

Model: DP17



STANDARD MATERIALS OF MAIN PARTS

ITEM	PART NAME	MATERIAL	ITEM	PART NAME	MATERIAL
1	BOTTOM COVER	CAST STEEL (WCB)	8	SPRING	60Si2Mn
2	BOLT	A193-B7	9	PIPE	SS304
3	NUT	A194-2H	10	BONNET	WCB
4	BODY	WCB	11	PILOT	13CR
5	STEM	13CR	12	ADJUSTING SPRING	60Si2Mn
6	SEAT	13CR	13	ADJUSTING SCREW	A20 STEEL
7	DISC	13CR	14		

Max Inlet Pressure 16 Bar, Outlet Pressure (Spring Setting Pressure range (Yellow 0.2- 3 Bar, Blue 2.5 – 7 Bar, Red 6-12 Bar))

TECHNICAL DATA

SPECIFICATION STANDARDS

Design & Manufacture: DIN 3356

Flange end standard: DIN PN16

Test & Inspection: DIN 3230

Nominal pressure: 1.6 MPa

Test pressure shell: 2.4 MPa

Test pressure seal: 1.76 MPa

Working temperature: Max 350°C

Applicable medium: Steam

DIMENSION (mm)

DN	L	D	D1	D2	E	T	Z-Ød	H1	H2
DN15	150	95	65	45	2	14	4-Ø14	130	220
DN20	150	105	75	58	2	14	4-Ø14	130	220
DN25	160	115	85	68	2	14	4-Ø14	145	235
DN32	180	140	100	78	2	16	4-Ø18	155	235
DN40	200	150	110	88	3	16	4-Ø18	175	235
DN50	230	165	125	102	3	16	4-Ø18	180	245
DN65	250	185	145	122	3	18	4-Ø18	200	295
DN80	310	200	160	138	3	20	8-Ø18	230	320
DN100	350	220	180	158	3	20	8-Ø18	260	340
DN125	400	250	210	188	3	22	8-Ø18	300	350
DN150	450	285	240	212	3	24	8-Ø22	330	370
DN200	500	340	295	268	3	26	12-Ø22	350	400